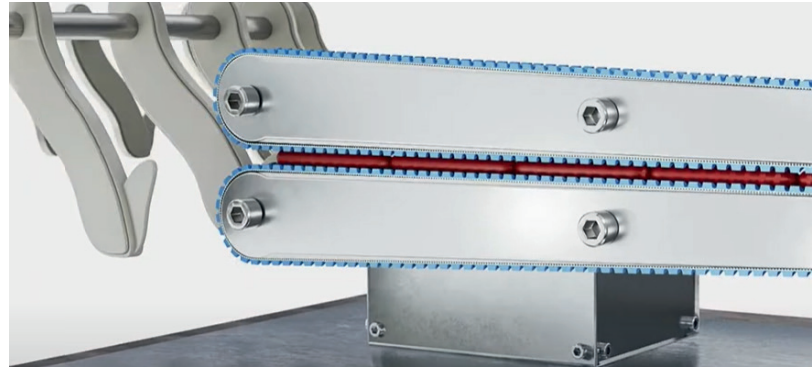
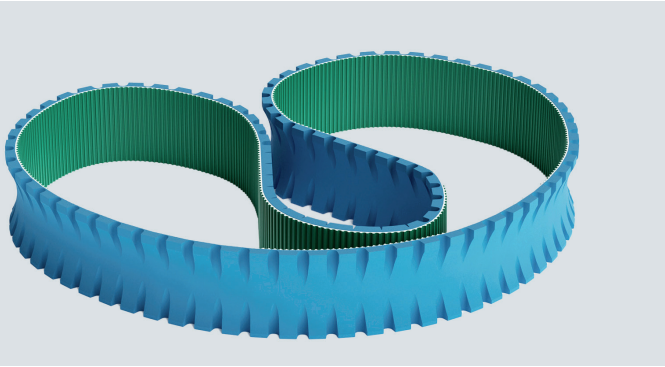


# Products for the food industry. Our Sausages Belts.



Our timing belts for the transport of goods in the food sector are widely known for their usability and quality. The SI50 coating provides perfect conditions for the transport of sausages. With individual processing according to customer requirements, we can deliver the best possible result for any sausage diameter.

## Unique characteristics

- FDA-approved materials
- Individual solutions possible by choice of different materials and almost unlimited special fabrications
- Coating easy to clean



Experience our Sausage Belts in action and discover the full range of our products for the food industry!

## Sector

Food industry

## Your Esband contact

North America  
Esband USA Inc.

2400 Pari Way  
Midlothian, VA 23112  
(804) 763-5145

[sales@esbandusa.com](mailto:sales@esbandusa.com)

The more we know about your requirements,  
the more precise our solution will be.

### Your contact data / contact partner

Name: \_\_\_\_\_

Phone: \_\_\_\_\_

Company: \_\_\_\_\_

Mobile: \_\_\_\_\_

Address: \_\_\_\_\_

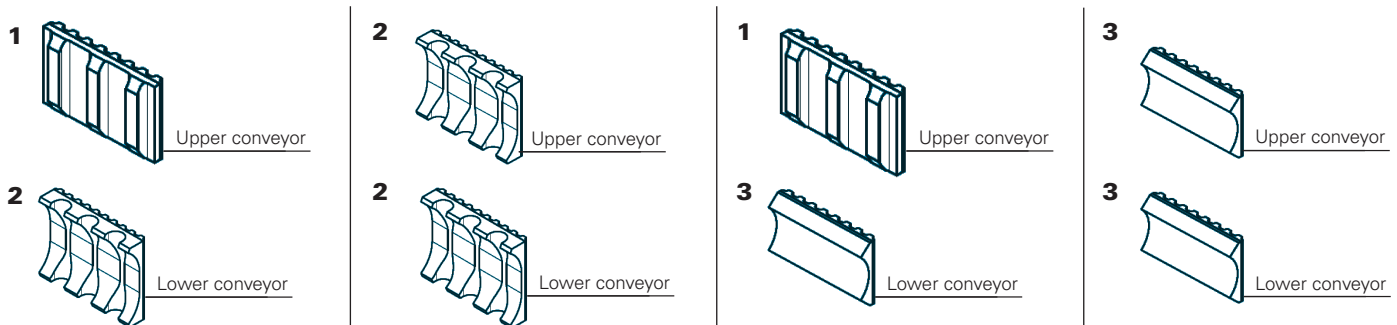
E-Mail: \_\_\_\_\_

### Your machine data and manufacturer's specifications

Manufacturer / Type: \_\_\_\_\_

Manufacturer's part number timing belt: \_\_\_\_\_

### Your requirement for the sausage belt



#### Conveyorbelt

upper  lower

#### Type

1  2  3  1  2  3

#### Belt width

25 mm  32 mm  38 mm

#### Timing belt pitch

T5  T9  T10

#### Timing belt type

Kevlar - Tension member free zone - PAZ

yes  no, other: \_\_\_\_\_

#### Coating

silicon blue  silicon white

#### Total belt thickness

1=6,5 mm 2=10,5 mm 3=7,1 mm