

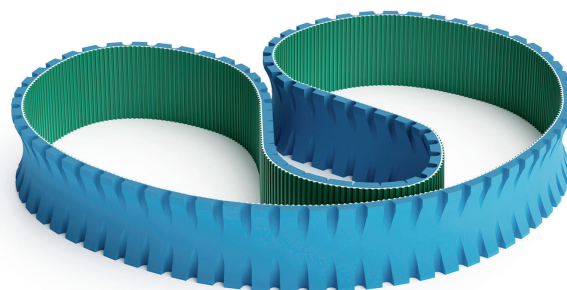
The more we know about your requirements
the more precise our solution will be

Your contact data / contact partner

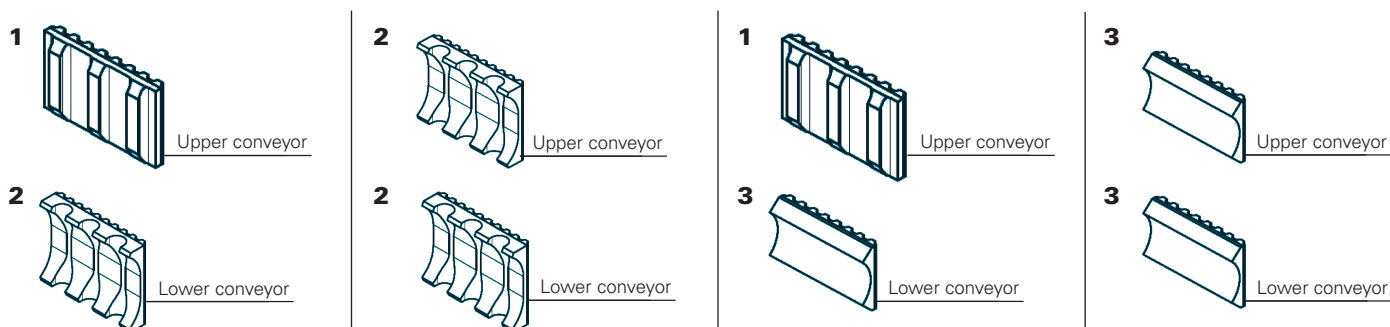
Name: _____ Phone: _____
 Company: _____ Mobile: _____
 Address: _____ E-Mail: _____

Your machine data and manufacturer's specifications

Manufacturer / Type: _____
 Manufacturer's part number timing belt: _____



Your requirement for the sausage belt



Conveyorbelt upper lower **Total belt thickness**

Type 1 2 3 1 2 3 1=6,5 mm 2=10,5 mm 3=7,1 mm

Belt width 25 mm 32 mm 38 mm

Timing belt pitch T5 T9 T10

Timing belt type Kevlar - Tension member free zone - PAZ yes no, other: _____

Coating silicon blue silicon white

Please send the completed questionnaire to sales@esbandusa.com
 Esband USA Inc. | 2400 Pari Way, Midlothian, VA 23112